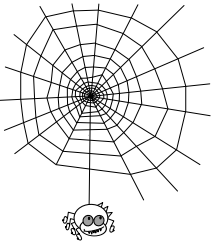
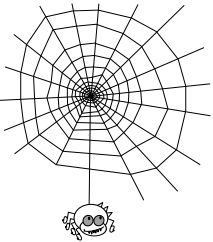


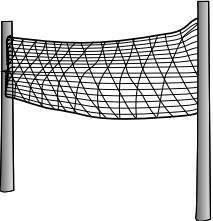




This work belongs to _____



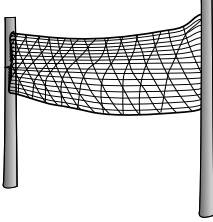
Write the short vowel.

Short Vowel e

w  b	w	p n
		

n t	h n	o
		

Write the word.

_____	_____	_____
		

_____	_____	_____
