

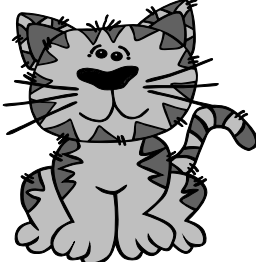

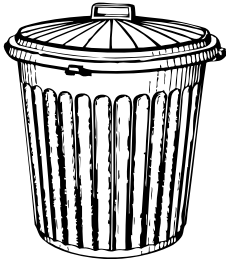
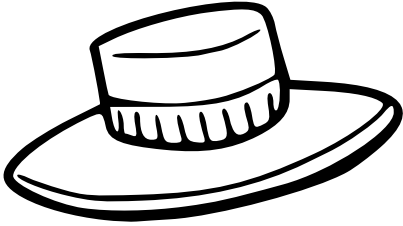


This work belongs to \_\_\_\_\_


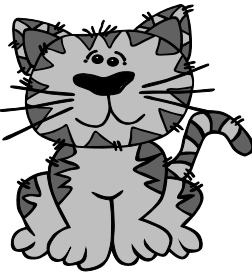
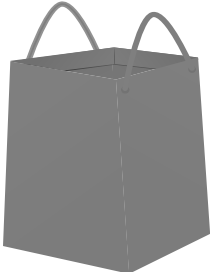
Write the short vowel.

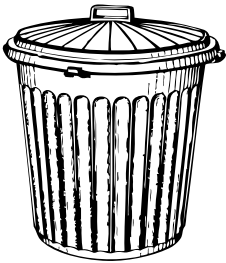

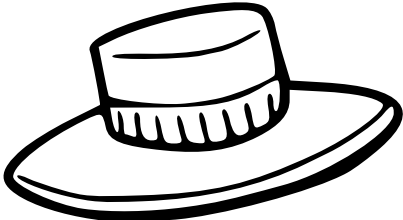
Short Vowel a

c a p	m n	c t
		

b g	c n	h t
		

Write the word.

		
---	---	---

		
---	---	---